



32.0" WXGA Tabletop Mount LCD Monitor



This 32" tabletop flat panel display is designed to be placed in a variety of public information, industrial and process control environments requiring a large tabletop display that supports resolutions from VGA to 1366 x 768 resolutions and NTSC/PAL video. The display is auto sync compatible with most PC's video standards, and can be integrated into a wide variety of industrial control and man-machine interface applications.



SPECIFICATIONS

FEATURES

- ◆ Bright Active Matrix TFT Display
- ◆ 30-93kHz Horizontal Scan
- ◆ 1366 x 768 Max. Resolution
- ◆ Digital or Analog Interface
- ◆ Wide Viewing Angles
- ◆ Deluxe Table Stand
- ◆ 550 nits Brightness
- ◆ Multiple Video Input Selections
- ◆ Aspect Ratio: 16:9

*Supports all VESA standard video formats

Display Size

32.0 Inch

Panel Type

TFT Active

Resolution Capabilities

1366X768

VGA to WXGA

Pixel Format

640x480, 800x600, 1024x768,
1280 x 1024,1366x768*

Pixel Pitch

.519mm (w) x .173 mm (h)

Viewing Angle

Left / Right: 85°/85°

Up / Down: 85°/85°

Active Display Area

27.912" (w) x 15.693"(h)

708.954 mm x 398.592 mm

Contrast Ratio

1000:1 Typical

Brightness

550 Nits Typical

Backlight

40,000 Hours Typical

Colors Supported

16.7 M

Input Connectors

HD15(F), DVI-D, S-Video,
CVBS, Component

Video Input

0.7Vp-p / 75 ohm, Digital

NTSC/PAL

Sync

TTL Separate H&V

Power Source

100-240 VAC

Power Consumption

180 Watts

20 Watts Sleep Mode

Temperature

Operating: 0° to 40°C

Storage: -20° to 60°C

Humidity

Operating: 5 to 90% NC

Storage: 5 to 95% NC

Altitude

Operating: up to 10,000 ft.

Storage: up to 40,000 ft.

Response Time

8msec typical

12msec maximum

Dimensions (Actual)

31.11" (w) x 18.91" (h) x

3.27"(d)

790.2mm x 480.2mm x

82.97mm

Weight (Actual)

44.09lbs / 20kg

Standards

UL, CE, TUV, FCC Cert.

CONTACT

HEADQUARTERS

11529 Sun Belt Ct.
Baton Rouge, Louisiana 70809

Phone 800.223.8050

International

001.225.298.0300

Fax 225.297.2440

E-mail

sales@vartechsystems.com

Website

www.vartechsystems.com

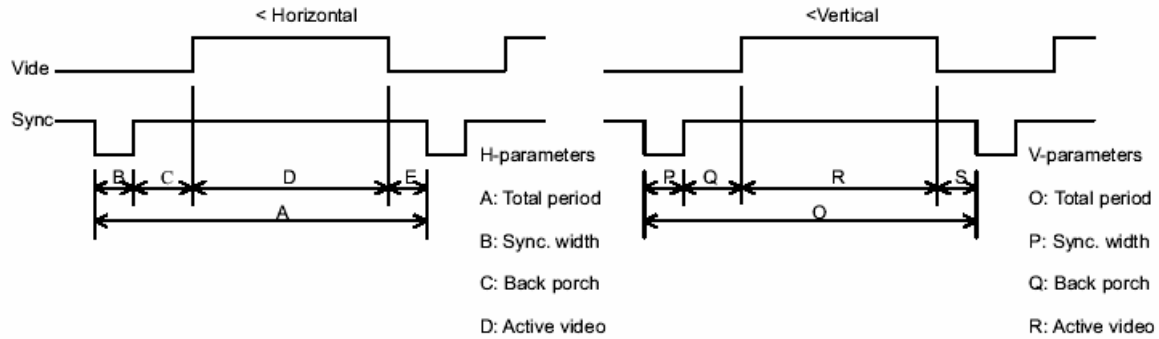
OPTIONS

- 100mm/200mm VESA Mounting

www.vartechsystems.com



COMPLIANT TIMING



Item	Video Mode		fH (kHz)	V (Hz)	Dot clock (MHz)	Sync polarity		Horizontal (dot)					Vertical (line)					Analog	Digital (Optional)
						H	V	A	B	C	D	E	O	P	Q	R	S		
1	VESA	VGA 640x480	31.469	59.940	25.175	N	N	800	96	48	640	16	526	2	33	480	11	O	O
2			37.861	72.809	31.500	N	N	832	40	128	640	24	520	3	28	480	9	O	O
3			37.500	75.000	31.500	N	N	840	64	120	640	16	500	3	16	480	1	O	O
4		SVGA 800x600	35.156	56.250	36.000	P	P	1024	72	128	800	24	625	2	22	600	1	O	-
5			37.879	60.317	40.000	P	P	1056	128	88	800	40	628	4	23	600	1	O	O
6			48.077	72.188	50.000	P	P	1040	120	64	800	56	666	6	23	600	37	O	O
7			46.875	75.000	49.500	P	P	1056	80	160	800	16	625	3	21	600	1	O	O
8		XGA 1024x768	48.363	60.004	65.000	N	N	1344	136	160	1024	24	806	6	29	768	3	O	O
9			56.476	70.069	75.000	N	N	1328	136	144	1024	24	806	6	29	768	3	O	O
10			60.023	75.029	78.750	P	P	1312	96	176	1024	16	800	3	28	768	1	O	O
11	SXGA	1152x864	67.500	75.000	108.000	P	P	1600	128	256	1152	64	900	3	32	864	1	O	-
12		1280x1024	63.981	60.020	108.000	P	P	1688	112	248	1280	48	1066	3	38	1024	1	O	-
13			79.976	75.025	135.000	P	P	1688	144	248	1280	16	1066	3	38	1024	1	O	-
14	VGA TEXT	720x400	31.469	70.087	28.322	N	P	900	108	45	720	27	449	2	35	400	12	O	O
15	Macintosh	640x480	35.000	66.667	30.240	N	N	864	64	96	640	64	525	3	39	480	3	O	-
16		832x624	49.725	74.500	57.283	N	N	1152	64	224	832	32	667	3	39	624	1	O	-
17		1024x768	60.150	74.720	80.000	N	N	1330	96	168	1024	42	805	3	31	768	3	O	-

Item	Video Mode		fH (kHz)	V (Hz)	Dot clock (MHz)
18	NTSC	NTSC 358-443	15.734	59.94	16.521
19	PAL	PAL SECAM	15.625	50.00	16.406